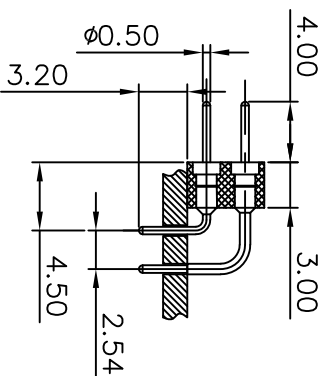
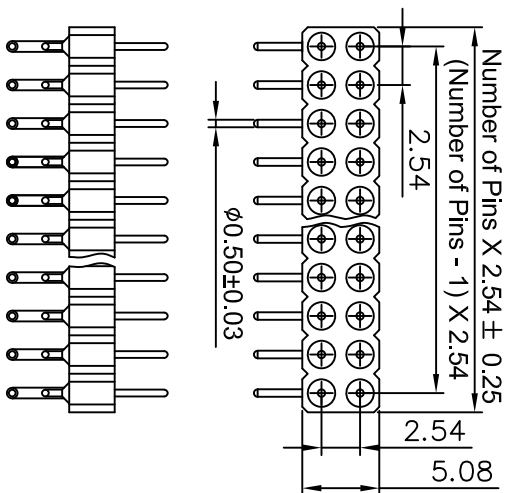
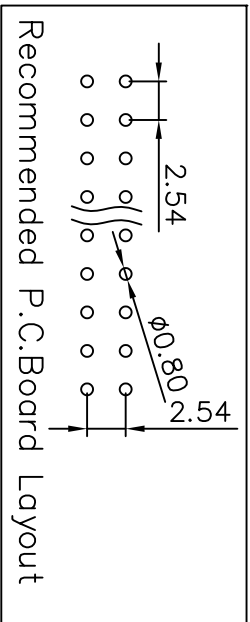


REV. NO.	REVISION NOTE	REVISER	DATE
V0	NEW DRAWING		2023/02/24



Technical Specs:
 Insulator: Black glass filled polyester PPS-GF30-FR
 Flammability: UL 94V-O
 Sleeve: Brass CuZn36Pb3 (C36000)
 Mechanical life: min 500 cycles
 Rated current: 3 A
 Contact resistance: max 20 Milliohms
 Dielectric strength: min 1000 V RMS
 Coplanarity SMDterminations: max 0.1 mm
 (measured on 25 mm long connectors)



		深圳市新世联电子有限公司 TEL: +86 (755) 29912370 FAX: 29912372	
Http://www.ciscomn.com			
Title		2.54MM圆PIN排针 RA	
Units mm		Scale 2:1	
Drawing By		REV NO. V0	
Date 2023/02/24		Reviewed By Date	
Angle ± 3°		Approval By Date	
Tolerance Unless Otherwise Specified		Material No.	
.X ~ ±0.30			
.XX ~ ±0.25			
.XXX ~ ±0.20			